

0CNP6-M01190EN

Corresponding table of the machine and engine

Machine	Engine
Model	Model
YK450QT	GB131LN-399
YK650QT	GB181LN-399

Contents

OCNP6-M01190

Fig. No. Fig. Name

PULLEY & TENSION

1. ENGINE MOUNT
2. ENGINE MOUNT
3. ENGINE PULLEY
4. ENGINE PULLEY
5. MAIN PULLEY
6. TENSION CLUTCH

TRANSMISSION

7. TRANSMISSION CASE
8. MAIN SHAFT
9. SHAFT(2ND)
10. FINAL SHAFT
11. SHAFT(WHEEL)
12. SHIFT SHAFT

ROTOR

13. FENDER
14. ROTOR
15. HITCH
16. UNIVERSAL HITCH

CONTROL

17. FRAME(HANDLE)
18. HANDLE

Fig. No. Fig. Name

19. CONTROL LEVER(HANDLE)

20. SHIFT LEVER

ENGINE FRAME

21. ENGINE FRAME
22. COVER(BELT)
23. FUEL TANK
24. BONNET
25. BONNET

ELECTRICAL PARTS, LABEL & ACCESSORY

26. ELECTRIC PARTS
27. LABEL
28. LABEL
29. LABEL(SAFETY)
30. TOOL
31. MANUAL

OPTIONAL

32. BLADE(EXTENSION)

Fig.2. ENGINE MOUNT

(A)=YK450QT
(B)=YK650QT
(C)=

(D)=
(E)=
(F)=

No.	Lev.	Parts No.	Description	Qty						I	R
				(A)	(B)	(C)	(D)	(E)	(F)		
1	1	22137-080000	WASHER, 8		4						
2	1	22157-080000	WASHER, 8		4						
3	1	22217-080000	WASHER, SPRING 8		4						
4	1	26116-080402	BOLT, M8X 40 PLATED		4						
5	1	26716-080002	NUT, M8		4						

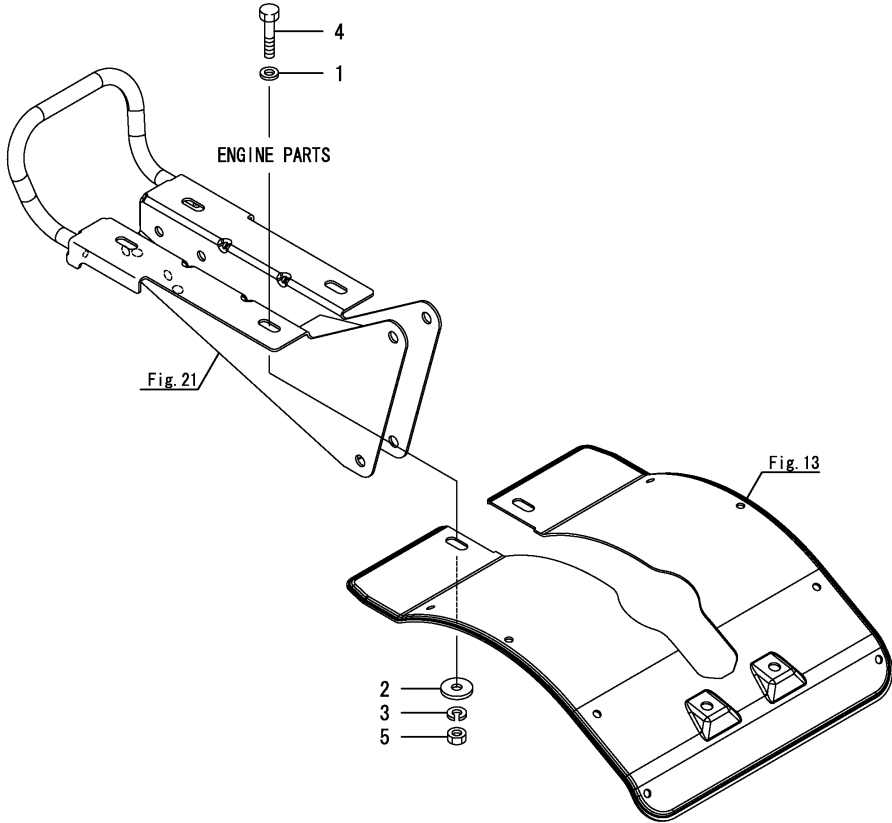


Fig.3. ENGINE PULLEY

(A)=YK450QT
(B)=YK650QT
(C)=

(D)=
(E)=
(F)=

No.	Lev.	Parts No.	Description	Q'ty						I	R
				(A)	(B)	(C)	(D)	(E)	(F)		
1	1	1A3550-12060	WASHER 8.5X30X3.2	1							
2	1	1A2910-12100	PULLEY,ENGINE 82-18	1							
3	1	1A2910-12200	V-BELT,AG-COG4 LB36	1							
4	1	22217-080000	WASHER, SPRING 8	1							
5	1	22551-050300	KEY, 5X 30	1							
6	1	26116-080162	BOLT, M8X 16 PLATED	1							

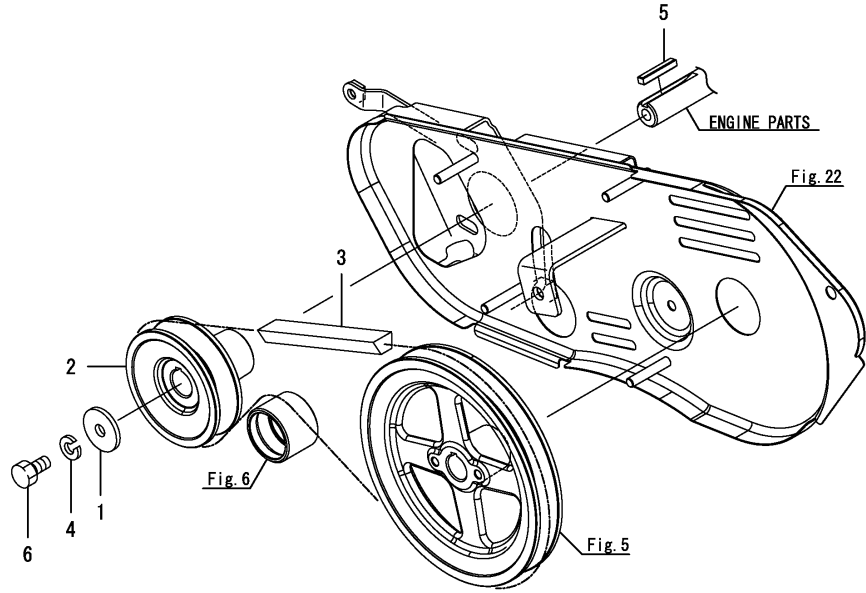


Fig.4. ENGINE PULLEY

(A)=YK450QT
(B)=YK650QT
(C)=

(D)=
(E)=
(F)=

No.	Lev.	Parts No.	Description	Q'ty						I	R
				(A)	(B)	(C)	(D)	(E)	(F)		
1	1	1A3550-12060	WASHER 8.5X30X3.2		1						
2	1	1A2910-12110	PULLEY,ENGINE 82-20		1						
3	1	1A2910-12200	V-BELT,AG-COG4 LB36		1						
4	1	22217-080000	WASHER, SPRING 8		1						
5	1	22551-050300	KEY, 5X 30		1						
6	1	26116-080162	BOLT, M8X 16 PLATED		1						

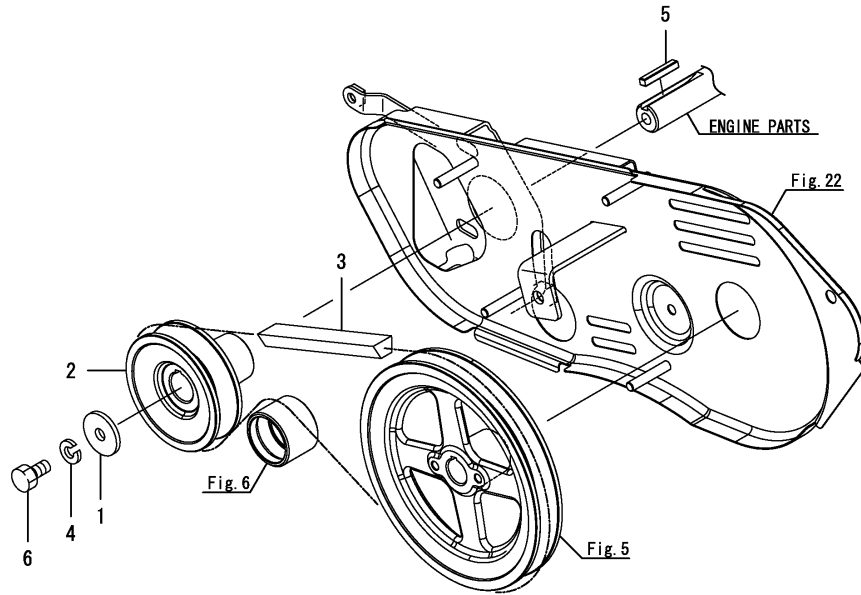


Fig.6. TENSION CLUTCH

(A)=YK450QT
(B)=YK650QT
(C)=

(D)=
(E)=
(F)=

No.	Lev.	Parts No.	Description	Q'ty						I	R
				(A)	(B)	(C)	(D)	(E)	(F)		
1	1	1A2910-13500	ARM ASSY, TENSION	1	1						
2	1	1A2910-13600	ROLLER ASSY,TENSION	1	1						
3	2	1A2910-13610	ROLLER, TENSION	1	1						
4	2	22252-000320	RING, 32	1	1						
5	2	24104-062010	BEARING, 6201UUC3	1	1						
6	1	1A2910-13700	SPRING, TENSION RTN	1	1						
7	1	22137-120000	WASHER, 12	1	1						
8	1	22242-000120	RING, 12	2	2						

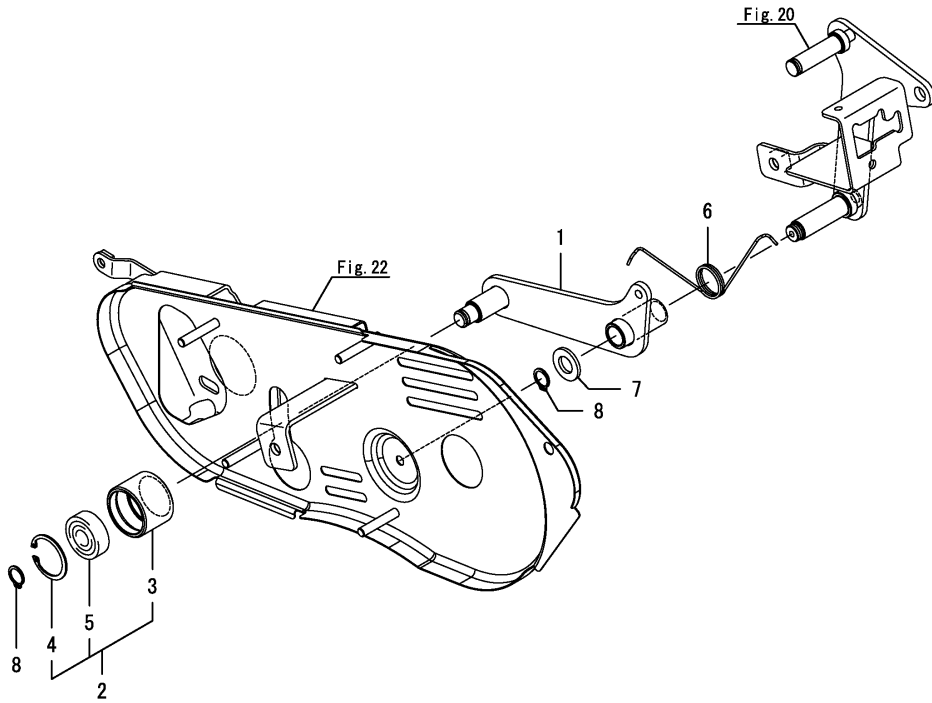
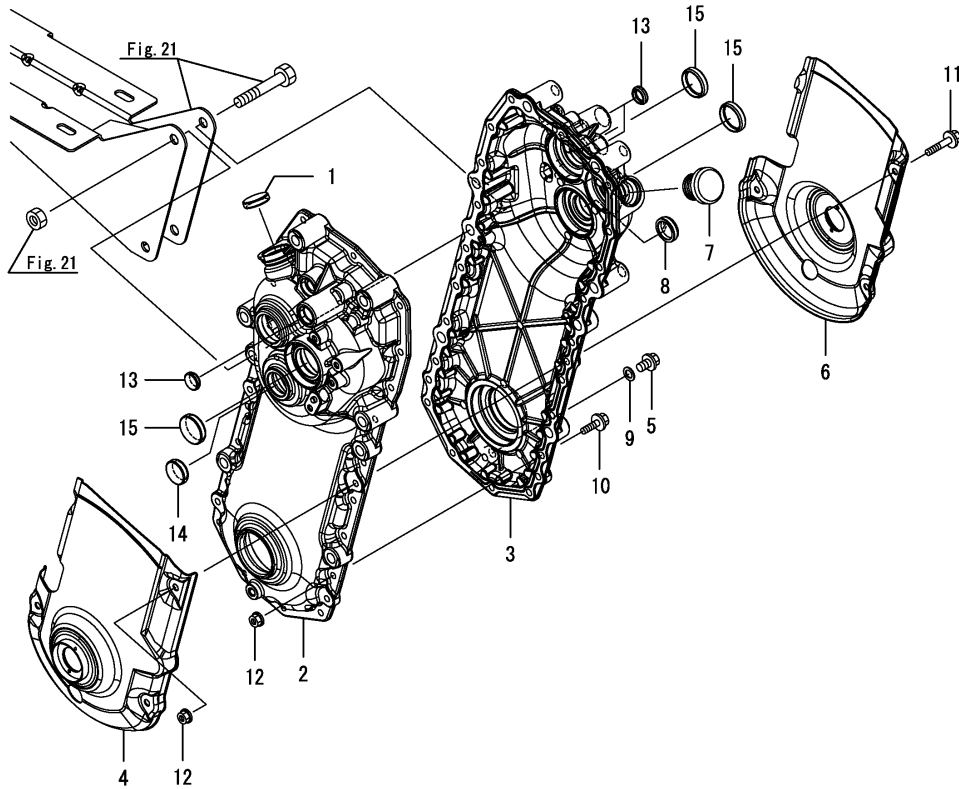


Fig.7. TRANSMISSION CASE

(A)=YK450QT
(B)=YK650QT
(C)=

(D)=
(E)=
(F)=



No.	Lev.	Parts No.	Description	Q'ty						I	R
				(A)	(B)	(C)	(D)	(E)	(F)		
1	1	1A1750-20421	CAP 26X6,SEAL	1	1						
2	1	1A2910-21100	CASE, TRANSMISSION L	1	1						
3	1	1A2910-21150	CASE, TRANSMISSION R	1	1						
4	1	1A2910-21200	COVER ASSY,PROTECT L	1	1						
5	1	1A2001-21250	BOLT M8X12,COLLAR HD	1	1						
6	1	1A2910-21250	COVER ASSY,PROTECT R	1	1						
7	1	1A3550-21800	OIL PLUG 35	1	1						
8	1	1A6260-24410	WINDOW, OIL CHECK 25	1	1						
9	1	23414-080000	GASKET, 8X1.0	1	1						
10	1	26106-060202	BOLT, M6X 20 PLATED	21	21						
11	1	26106-060302	BOLT, M6X 30 PLATED	3	3						
12	1	26367-060002	NUT, M6	24	24						
13	1	27260-180000	PLUG, 18	3	3						
14	1	27260-250000	PLUG, 25	1	1						
15	1	27260-300000	PLUG, 30	3	3						

Fig.10. FINAL SHAFT

(A)=YK450QT
(B)=YK650QT
(C)=

(D)=
(E)=
(F)=

No.	Lev.	Parts No.	Description	Qty						I	R
				(A)	(B)	(C)	(D)	(E)	(F)		
1	1	1A3550-23270	LINER 20X30X1.0	1	1						
2	1	1A2910-23300	SHAFT ASSY,FINAL	1	1						
3	1	1A2910-23350	GEAR ASSY,18X42	1	1						
4	1	1A2910-23400	ROLLER, CHAIN 50HK48	1	1						
5	1	1A2015-23550	LINER 17X29X1	1	1						
6	1	24101-063034	BEARING, BALL 6303	2	2						

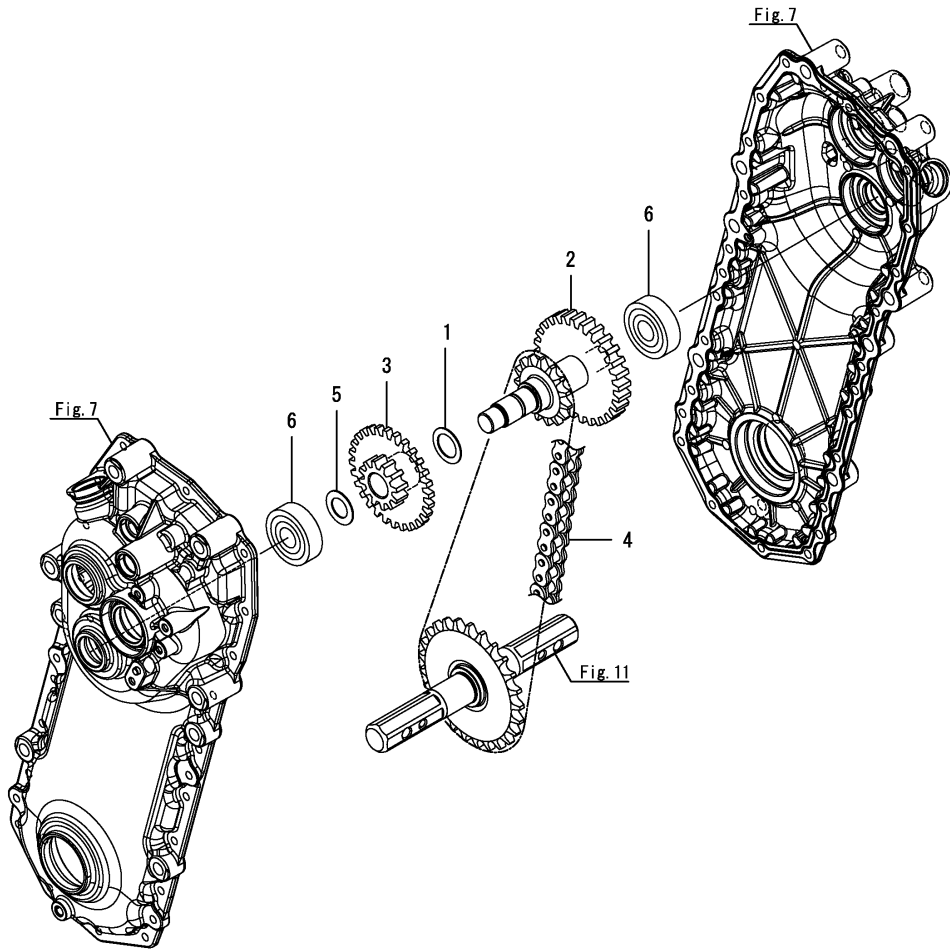


Fig.11. SHAFT(WHEEL)

(A)=YK450QT
(B)=YK650QT
(C)=

(D)=
(E)=
(F)=

No.	Lev.	Parts No.	Description	Q'ty						I	R
				(A)	(B)	(C)	(D)	(E)	(F)		
1	1	1A2910-24050	SHAFT ASSY,WHEEL	1	1						
2	1	1A2530-24100	WASHER	2	2						
3	1	1A2171-90050	SEAL, OIL 25X44X11	2	2						
4	1	24101-063054	BEARING, BALL 6305	2	2						

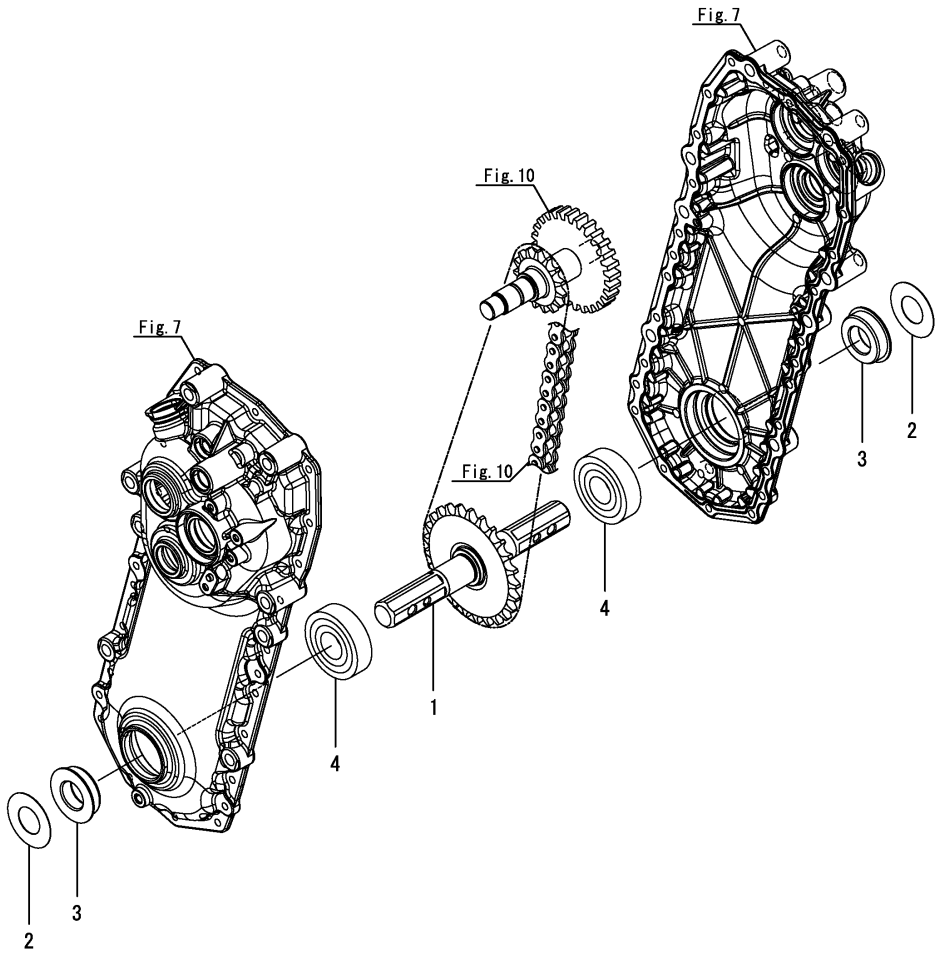
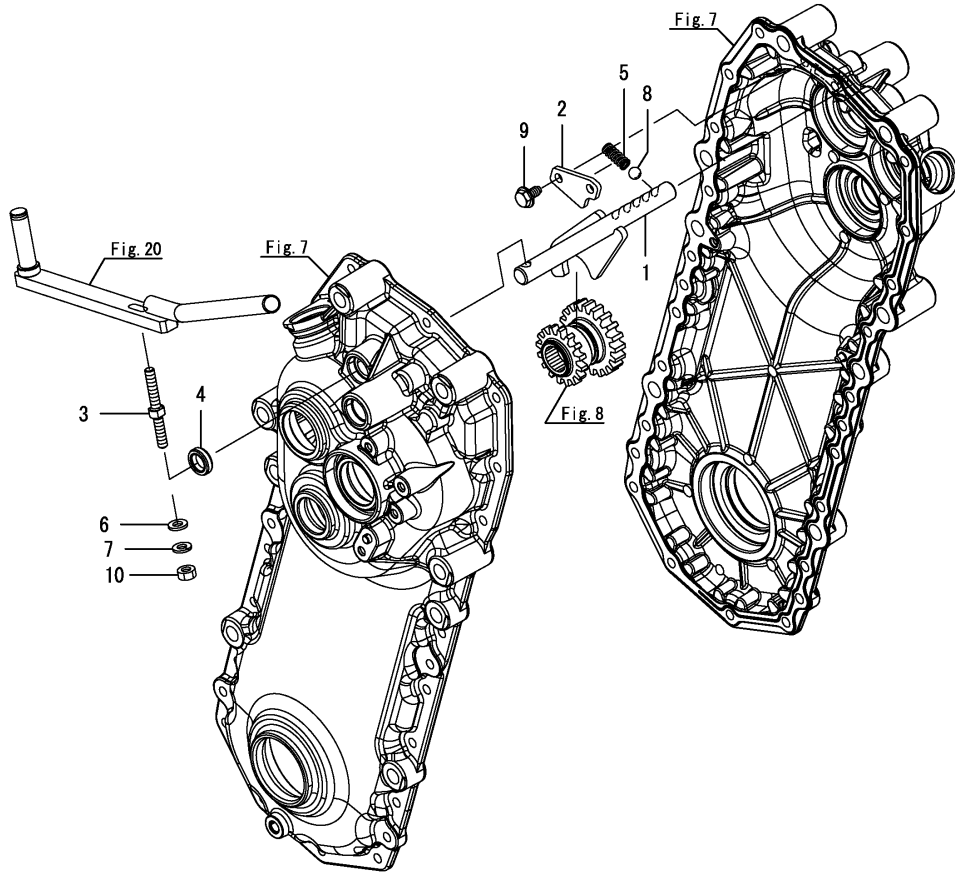


Fig.12. SHIFT SHAFT

(A)=YK450QT
(B)=YK650QT
(C)=

(D)=
(E)=
(F)=

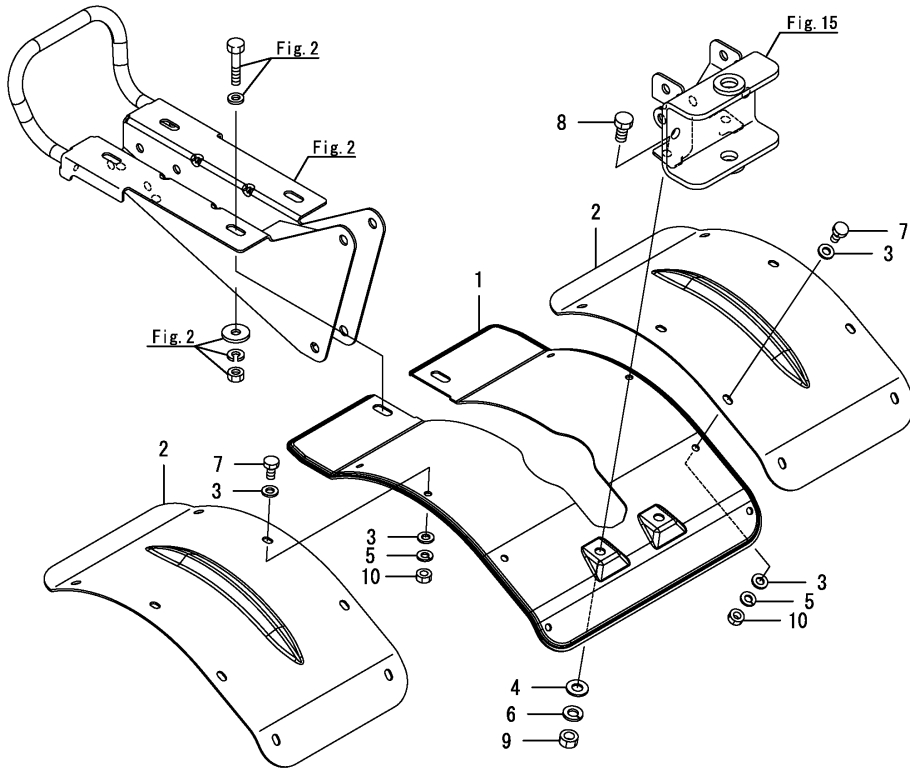


No.	Lev.	Parts No.	Description	Q'ty						I	R
				(A)	(B)	(C)	(D)	(E)	(F)		
1	1	1A2910-27000	FORK ASSY, SHAFT	1	1						
2	1	1A2910-27050	PLATE, RETAINER	1	1						
3	1	1A2910-27300	PIN, CHANGE	1	1						
4	1	1A2173-27900	SEAL, TC121805	1	1						
5	1	1E6150-56040	SPRING, FORK	1	1						
6	1	22137-060000	WASHER, 6	1	1						
7	1	22217-060000	WASHER, SPRING 6	1	1						
8	1	24190-100003	BALL, STEEL 5/16	1	1						
9	1	26476-060102	SCREW, TAPPING M6X10	2	2						
10	1	26717-060002	NUT, M6	1	1						

Fig.13. FENDER

(A)=YK450QT
(B)=YK650QT
(C)=

(D)=
(E)=
(F)=

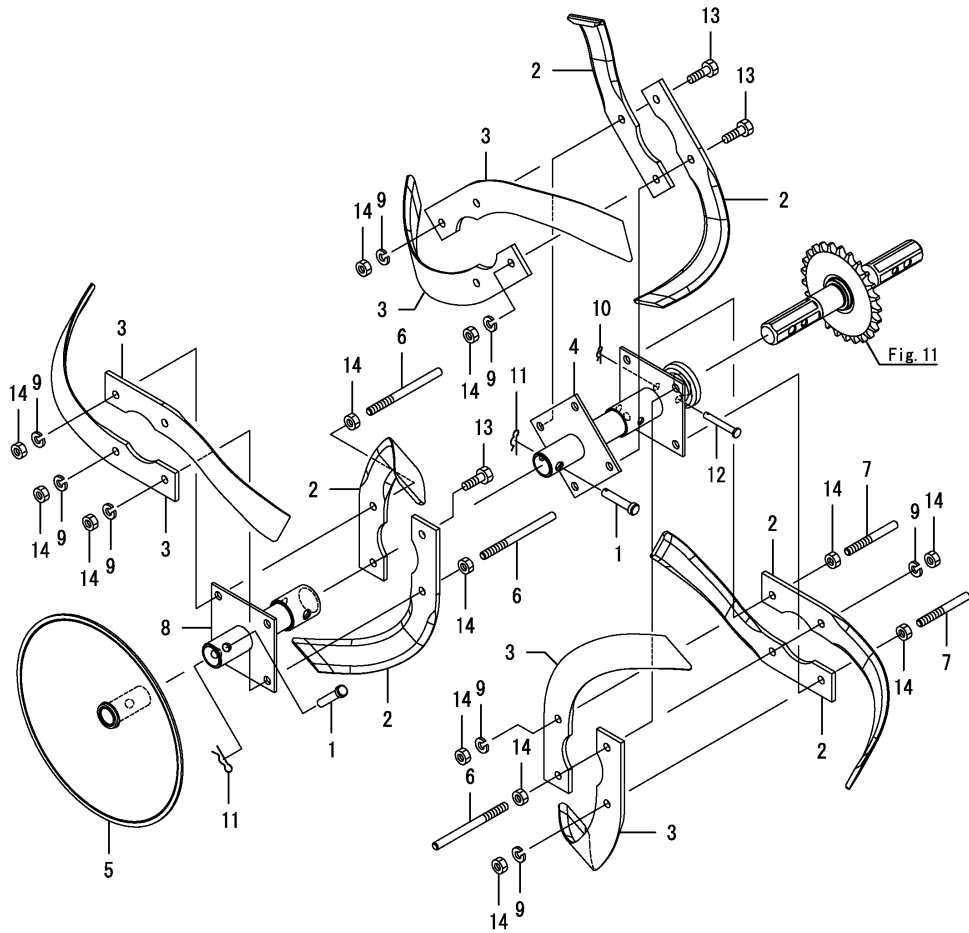


No.	Lev.	Parts No.	Description	Q'ty						I	R
				(A)	(B)	(C)	(D)	(E)	(F)		
1	1	7A2910-32400	FENDER ASSY	1	1						
2	1	1A2910-32100	FENDER, EXTENSION	2	2						
3	1	22137-060000	WASHER, 6	16	16						
4	1	22137-080000	WASHER, 8	2	2						
5	1	22217-060000	WASHER, SPRING 6	8	8						
6	1	22217-080000	WASHER, SPRING 8	2	2						
7	1	26116-060122	BOLT, M6X 12 PLATED	8	8						
8	1	26116-080162	BOLT, M8X 16 PLATED	2	2						
9	1	26716-080002	NUT, M8	2	2						
10	1	26717-060002	NUT, M6	8	8						

Fig.14. ROTOR

(A)=YK450QT
(B)=YK650QT
(C)=

(D)=
(E)=
(F)=



No.	Lev.	Parts No.	Description	Q'ty						I	R
				(A)	(B)	(C)	(D)	(E)	(F)		
1	1	1A3550-31160	PIN 8X40	4	4						
2	1	1A2910-35000	TINE,KATANA L-65	12	12						
3	1	1A2910-35010	TINE,KATANA R-65	12	12						
4	1	1A2910-35100	PIPE ASSY, BRACKET A	2	2						
5	1	1S4801-35160	SIDE WHEEL CMP	2	2						
6	1	1A2910-35180	ROD, GUARD	8	8						
7	1	1A2910-35190	ROD, GUARD-S	4	4						
8	1	1A2910-35200	PIPE ASSY, BRACKET B	2	2						
9	1	22217-080000	WASHER, SPRING 8	24	24						
10	1	22372-060000	PIN, SNAP 6	2	2						
11	1	22372-080000	PIN, SNAP 8	4	4						
12	1	22486-060400	PIN, H 6X 40	2	2						
13	1	26116-080252	BOLT, M8X 25 PLATED	12	12						
14	1	26716-080002	NUT, M8	36	36						

Fig.15. HITCH

(A)=YK450QT
(B)=YK650QT
(C)=

(D)=
(E)=
(F)=

No.	Lev.	Parts No.	Description	Q'ty						I	R
				(A)	(B)	(C)	(D)	(E)	(F)		
1	1	1A2910-46000	HITCH ASSY	1	1						
2	1	1A2132-61260	PIN,HITCH	1	1						
3	1	22217-100000	WASHER, SPRING 10	2	2						
4	1	22372-160000	PIN, SNAP 16	1	1						
5	1	26156-100602	BOLT, M10X 60 PLATED	1	1						
6	1	26156-101002	BOLT, M10X100 PLATED	1	1						
7	1	26736-100002	NUT, M10	2	2						

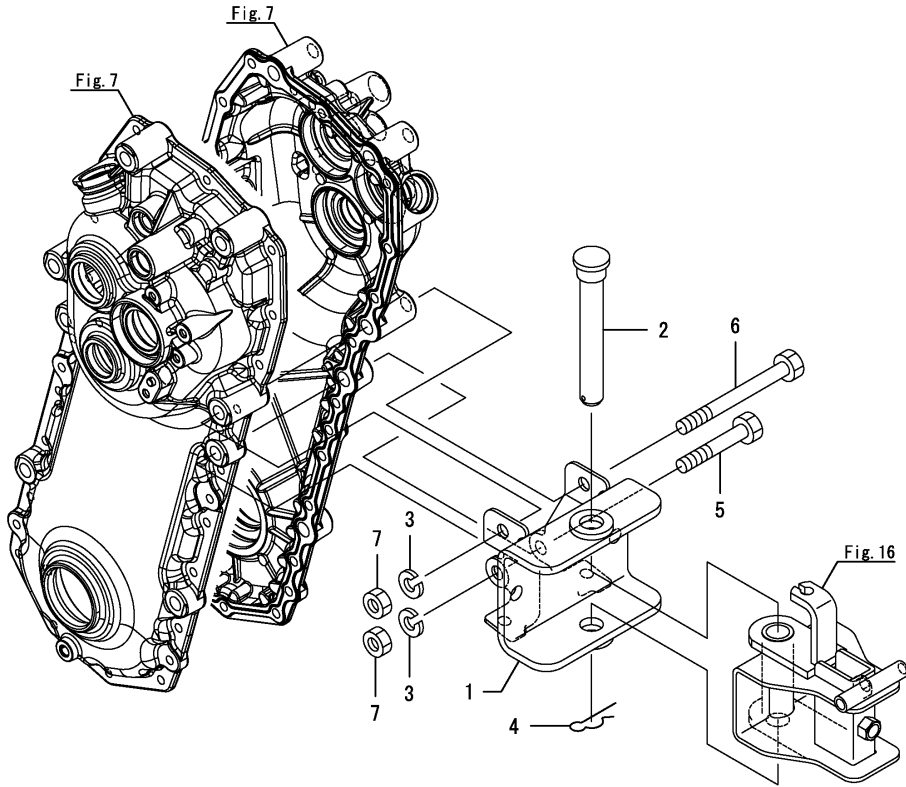
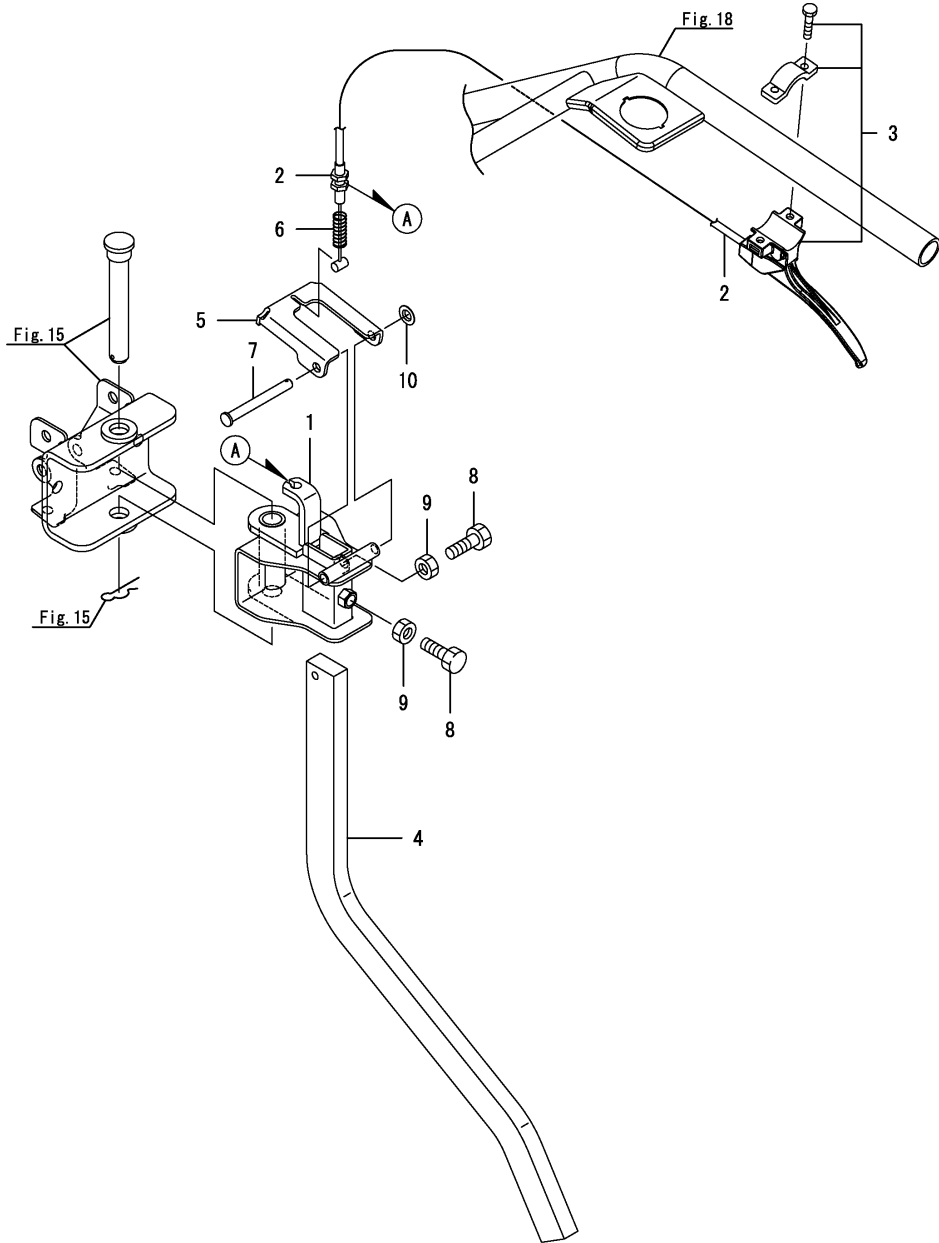


Fig.16. UNIVERSAL HITCH



(A)=YK450QT
(B)=YK650QT
(C)=

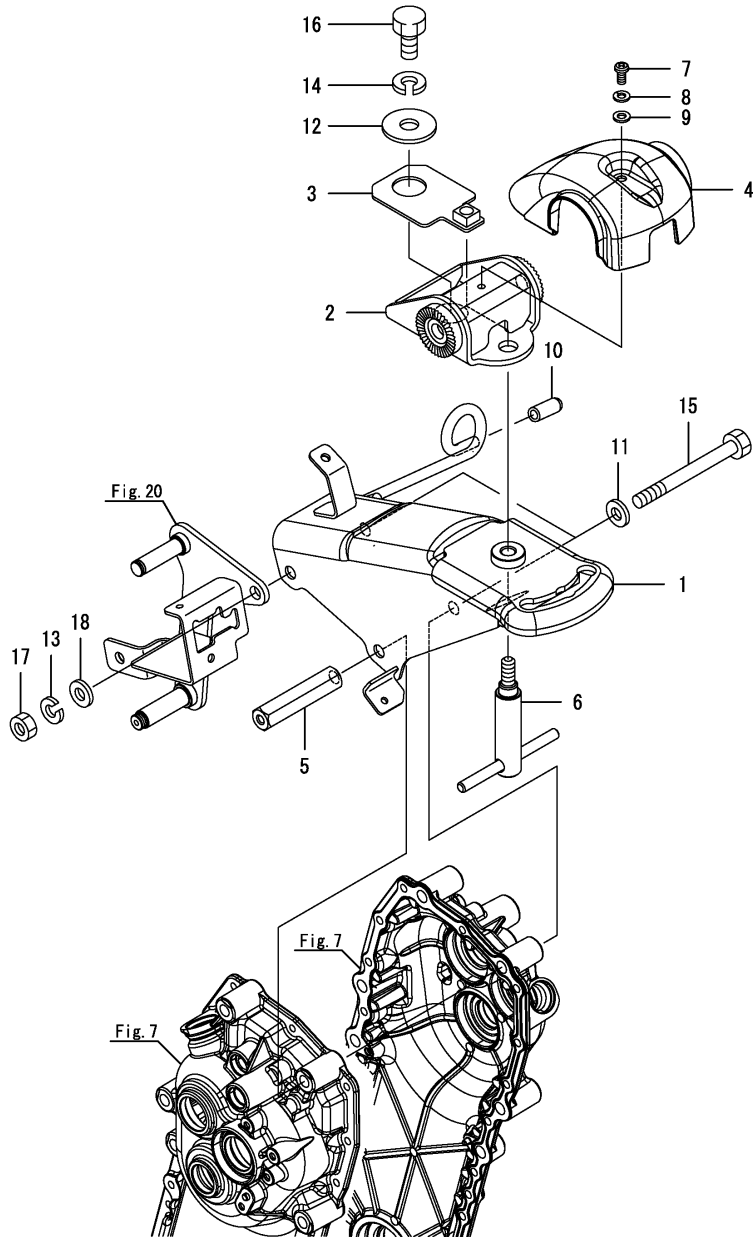
(D)=
(E)=
(F)=

No.	Lev.	Parts No.	Description	Q'ty						I	R
				(A)	(B)	(C)	(D)	(E)	(F)		
1	1	1A2910-46500	HITCH ASSY	1	1						
2	1	1A2910-46610	WIRE, RESISTANCE BAR	1	1						
3	1	1A2910-46620	LEVER, CLUTCH	1	1						
4	1	1A3550-46700	RESISTANCE BAR A	1	1						
5	1	1A2530-75651	STOPPER	1	1						
6	1	1A2530-75750	SPRING, 9X30	1	1						
7	1	22487-080700	PIN, H 8X 70	1	1						
8	1	26116-100302	BOLT, M10X 30 PLATED	2	2						
9	1	26716-100002	NUT, M10	2	2						
10	1	26892-000800	NUT, 8	1	1						

Fig.17. FRAME(HANDLE)

(A)=YK450QT
(B)=YK650QT
(C)=

(D)=
(E)=
(F)=



No.	Lev.	Parts No.	Description	Q'ty						I	R
				(A)	(B)	(C)	(D)	(E)	(F)		
1	1	7A2910-51400	HANDLE ASSY, FRAME	1	1						
2	1	1A2910-51200	BASE ASSY, TURN	1	1						
3	1	1A2910-51280	PLATE ASSY, NUT	1	1						
4	1	1A2910-51300	COVER, HANDLE	1	1						
5	1	1A2910-51310	NUT, M8XM10	1	1						
6	1	1A2910-51400	LEVER ASSY, LOCK	1	1						
7	1	1A1735-55350	SCREW 6X12,PAN HD.	1	1						
8	1	1A1750-90120	WASHER 6,SPRING BLK.	1	1						
9	1	1A1750-90160	WASHER 6, PLAIN	1	1						
10	1	1W4981-90320	CAP,RUBBER	1	1						
11	1	22137-100000	WASHER, 10	2	2						
12	1	22157-120000	WASHER, 12	1	1						
13	1	22217-100000	WASHER, SPRING 10	1	1						
14	1	22217-120000	WASHER, SPRING 12	1	1						
15	1	26156-101002	BOLT, M10X100 PLATED	2	2						
16	1	26156-120252	BOLT, M12X 25 PLATED	1	1						
17	1	26736-100002	NUT, M10	1	1						
18	1	22137-100000	WASHER, 10	1	1						

Fig.18. HANDLE

(A)=YK450QT
(B)=YK650QT
(C)=

(D)=
(E)=
(F)=

No.	Lev.	Parts No.	Description	Q'ty						I	R
				(A)	(B)	(C)	(D)	(E)	(F)		
1	1	1A2000-51400	LEVER CMP.,HANDLE LC	1	1						
2	1	1A2910-51500	HANDLE ASSY	1	1						
3	1	1A2910-51600	GRIP, HANDLE	2	2						
4	1	1A2700-51850	GRIP CHANGE LEVER	1	1						
5	1	22137-120000	WASHER, 12	1	1						
6	1	22217-120000	WASHER, SPRING 12	1	1						
7	1	26116-121502	BOLT, M12X160 PLATED	1	1						

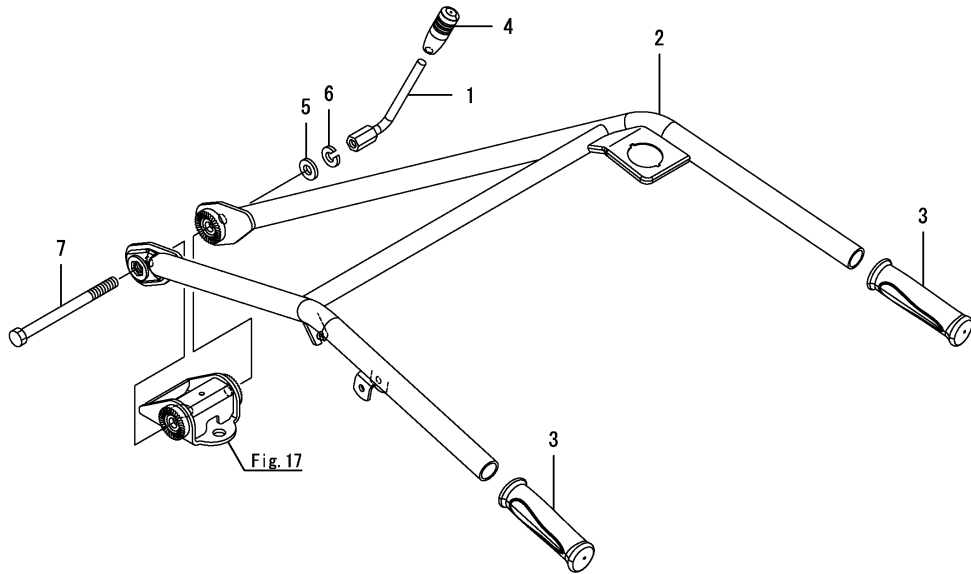
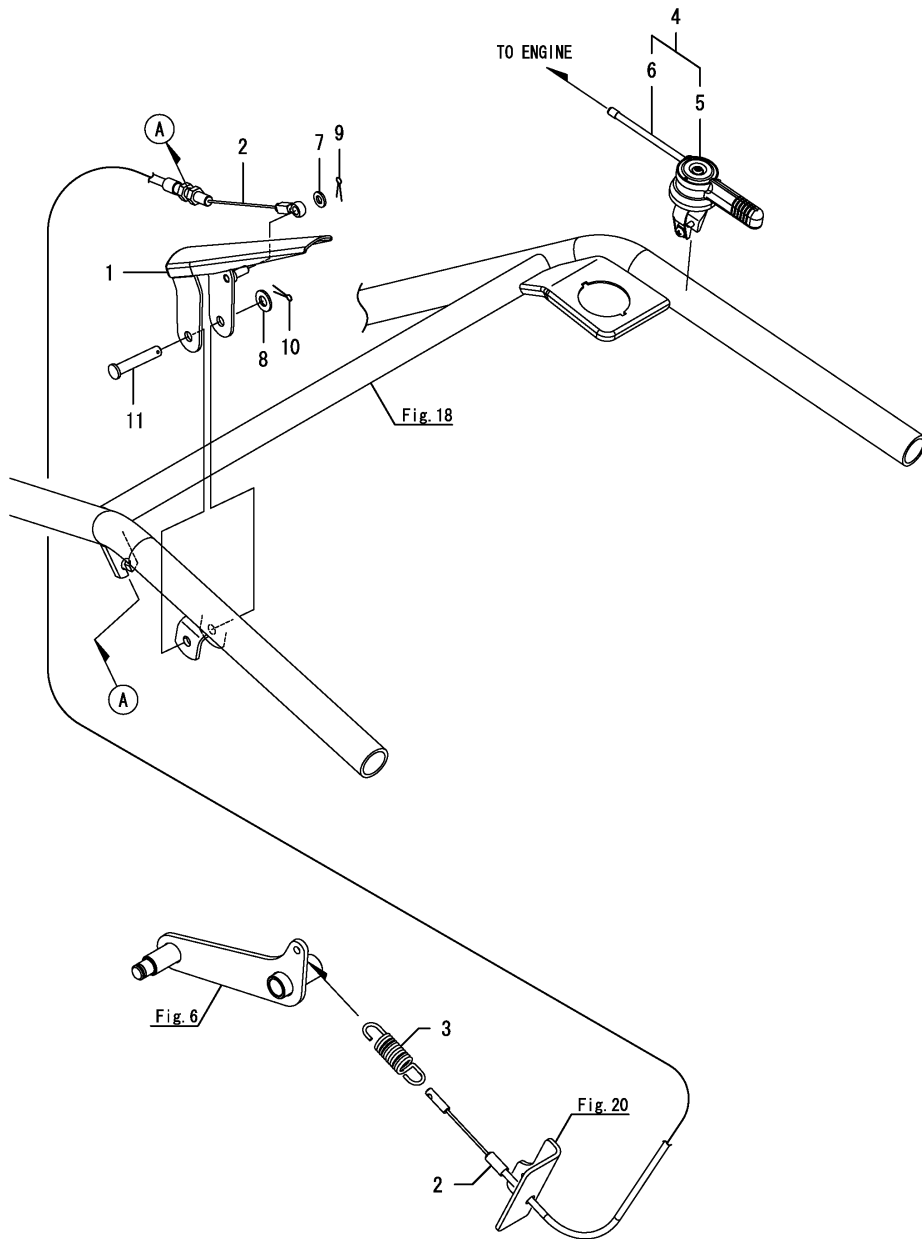


Fig.19. CONTROL LEVER(HANDLE)

(A)=YK450QT
(B)=YK650QT
(C)=

(D)=
(E)=
(F)=

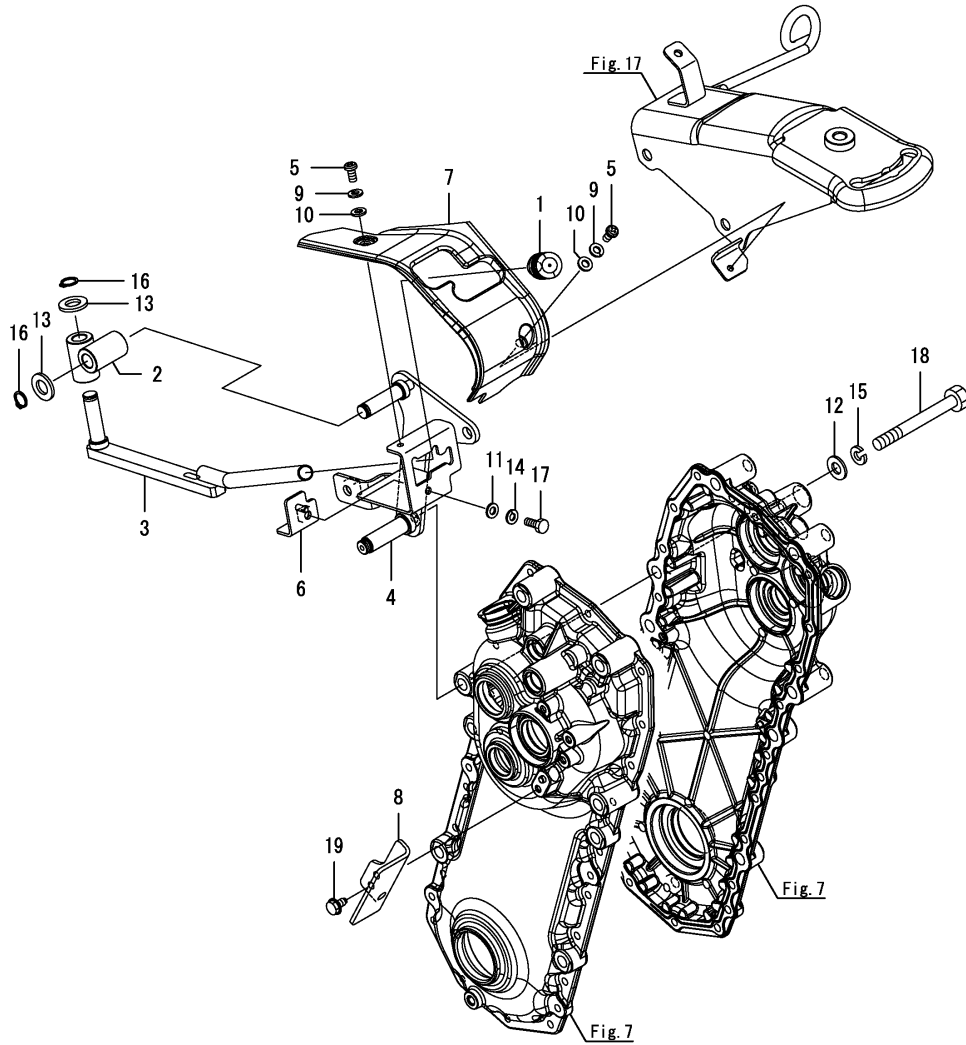


No.	Lev.	Parts No.	Description	Q'ty						I	R
				(A)	(B)	(C)	(D)	(E)	(F)		
1	1	1A2910-54000	LEVER ASSY, CLUTCH	1	1						
2	1	1A2910-54080	WIRE, CLUTCH	1	1						
3	1	1A2910-54090	SPRING, CLUTCH	1	1						
4	1	1A2910-54100	LEVER ASSY, ACCEL.	1	1						
5	2	1A2910-54110	LEVER, ACCELERATOR	1	1						
6	2	1A2910-54120	WIRE, ACCELERATOR	1	1						
7	1	22137-060000	WASHER, 6	1	1						
8	1	22137-080000	WASHER, 8	1	1						
9	1	22417-160100	COTTER PIN	1	1						
10	1	22417-200160	PIN, COTTER 2.0X16	1	1						
11	1	22486-080400	PIN, H 8X 40	1	1						

Fig.20. SHIFT LEVER

(A)=YK450QT
(B)=YK650QT
(C)=

(D)=
(E)=
(F)=



No.	Lev.	Parts No.	Description	Q'ty						I	R
				(A)	(B)	(C)	(D)	(E)	(F)		
1	1	1A2700-51850	GRIP CHANGE LEVER	1	1						
2	1	1A2910-55100	COLLAR ASSY, FULCRUM	1	1						
3	1	1A2910-55300	LEVER ASSY, CHANGE	1	1						
4	1	1A2910-55330	STAY ASSY, FULCRUM	1	1						
5	1	1A1735-55350	SCREW 6X12,PAN HD.	2	2						
6	1	1A2910-55480	PLATE ASSY, GUIDE	1	1						
7	1	1A2910-55500	COVER, SHIFT	1	1						
8	1	1A2910-55570	PLATE, MAIN CLUTCH	1	1						
9	1	1A1750-90120	WASHER 6,SPRING BLK.	2	2						
10	1	1A1750-90160	WASHER 6, PLAIN	2	2						
11	1	22137-060000	WASHER, 6	1	1						
12	1	22137-100000	WASHER, 10	1	1						
13	1	22137-120000	WASHER, 12	2	2						
14	1	22217-060000	WASHER, SPRING 6	1	1						
15	1	22217-100000	WASHER, SPRING 10	1	1						
16	1	22242-000120	RING, 12	2	2						
17	1	26116-060162	BOLT, M6X 16 PLATED	1	1						
18	1	26156-100902	BOLT, M10X 90 PLATED	1	1						
19	1	26476-060102	SCREW, TAPPING M6X10	1	1						

Fig.21. ENGINE FRAME

(A)=YK450QT
(B)=YK650QT
(C)=

(D)=
(E)=
(F)=

No.	Lev.	Parts No.	Description	Qty						I	R
				(A)	(B)	(C)	(D)	(E)	(F)		
1	1	1A2910-61000	FRAME ASSY, ENGINE	1	1						
2	1	22137-100000	WASHER, 10	4	4						
3	1	22217-100000	WASHER, SPRING 10	2	2						
4	1	26156-100602	BOLT, M10X 60 PLATED	2	2						
5	1	26736-100002	NUT, M10	2	2						

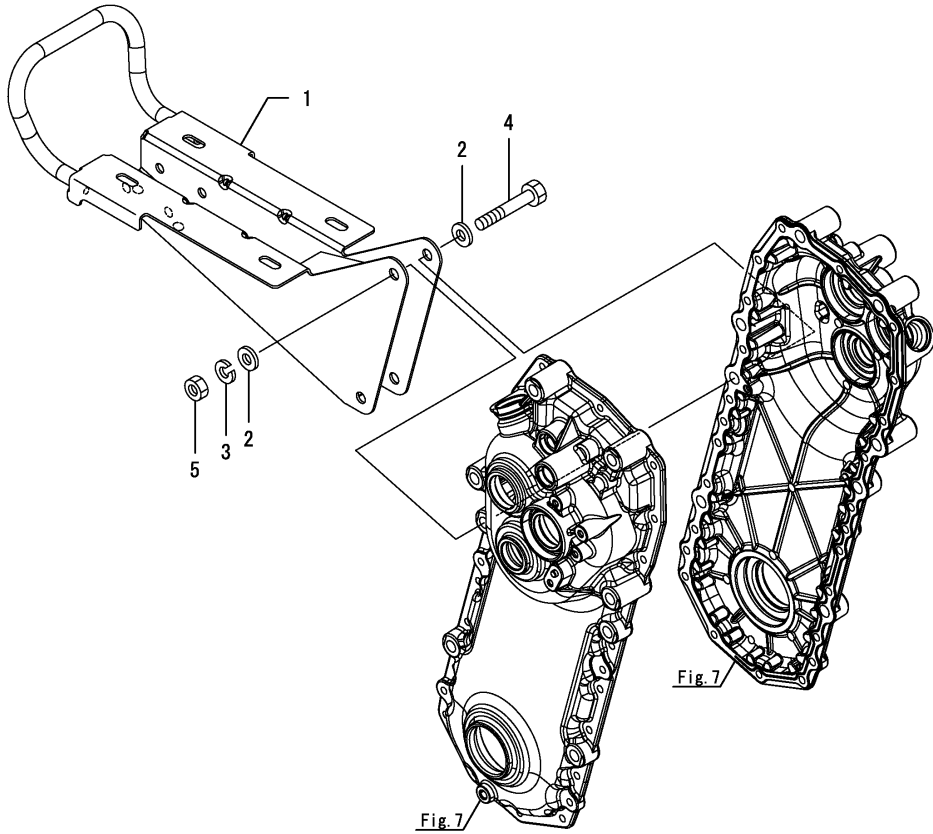
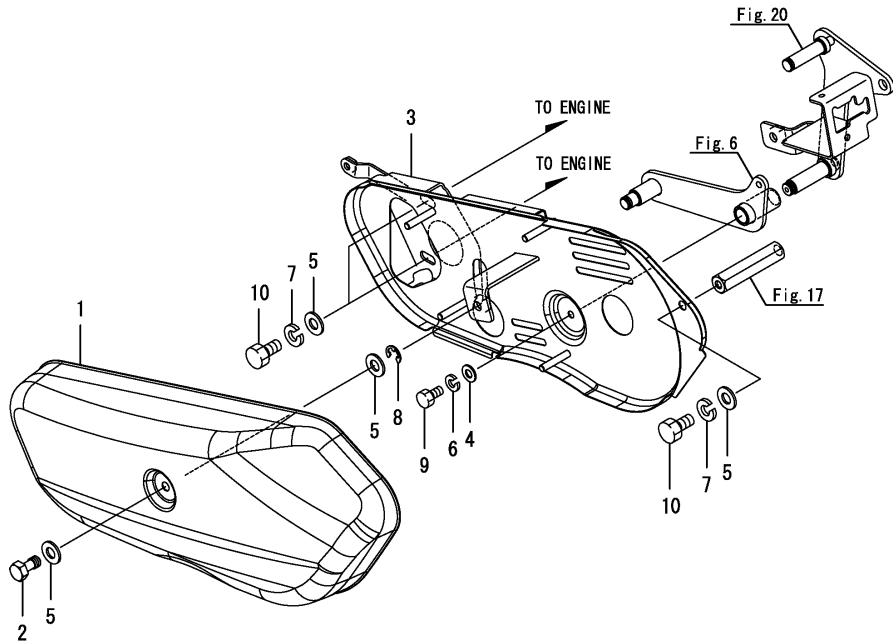


Fig.22. COVER(BELT)

(A)=YK450QT
(B)=YK650QT
(C)=

(D)=
(E)=
(F)=

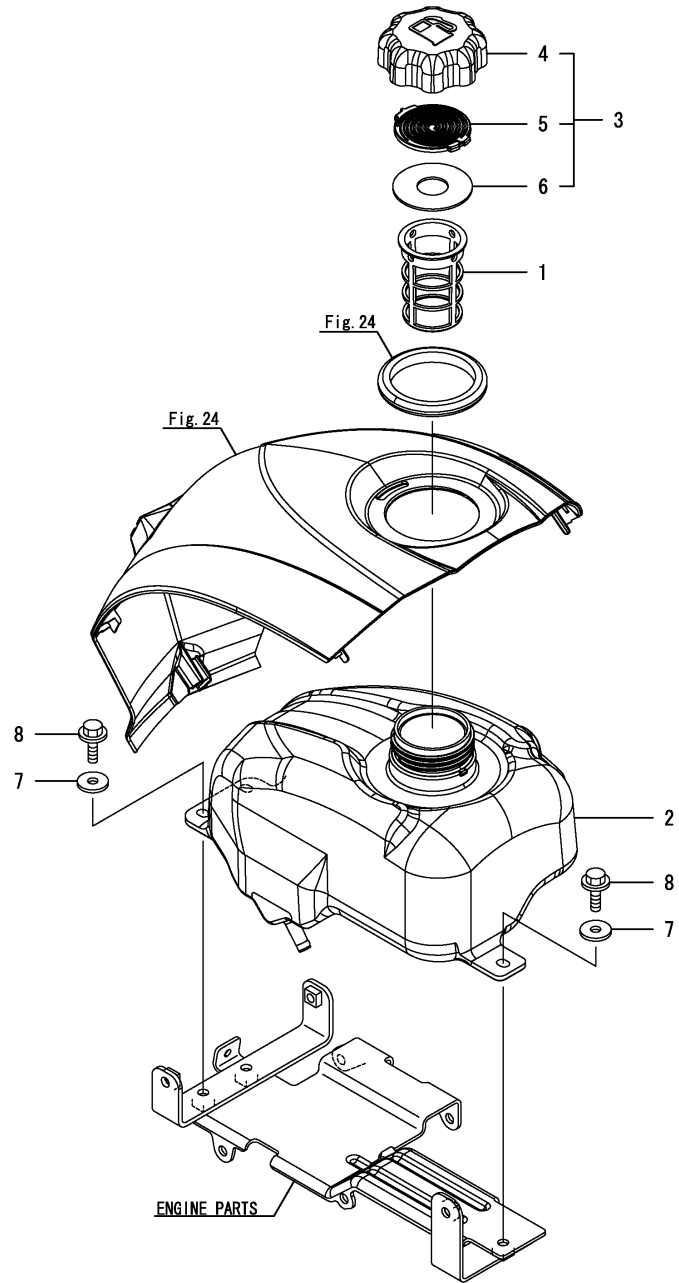


No.	Lev.	Parts No.	Description	Qty						I	R
				(A)	(B)	(C)	(D)	(E)	(F)		
1	1	7A2910-62400	COVER ASSY, BELT	1	1						
2	1	1A2132-62050	BOLT	1	1						
3	1	1A2910-62100	COVER ASSY, BACK	1	1						
4	1	22137-060000	WASHER, 6	1	1						
5	1	22137-080000	WASHER, 8	5	5						
6	1	22217-060000	WASHER, SPRING 6	1	1						
7	1	22217-080000	WASHER, SPRING 8	3	3						
8	1	22272-000060	RING, E- 6	1	1						
9	1	26116-060122	BOLT, M6X 12 PLATED	1	1						
10	1	26116-080162	BOLT, M8X 16 PLATED	3	3						

Fig.23. FUEL TANK

(A)=YK450QT
(B)=YK650QT
(C)=

(D)=
(E)=
(F)=

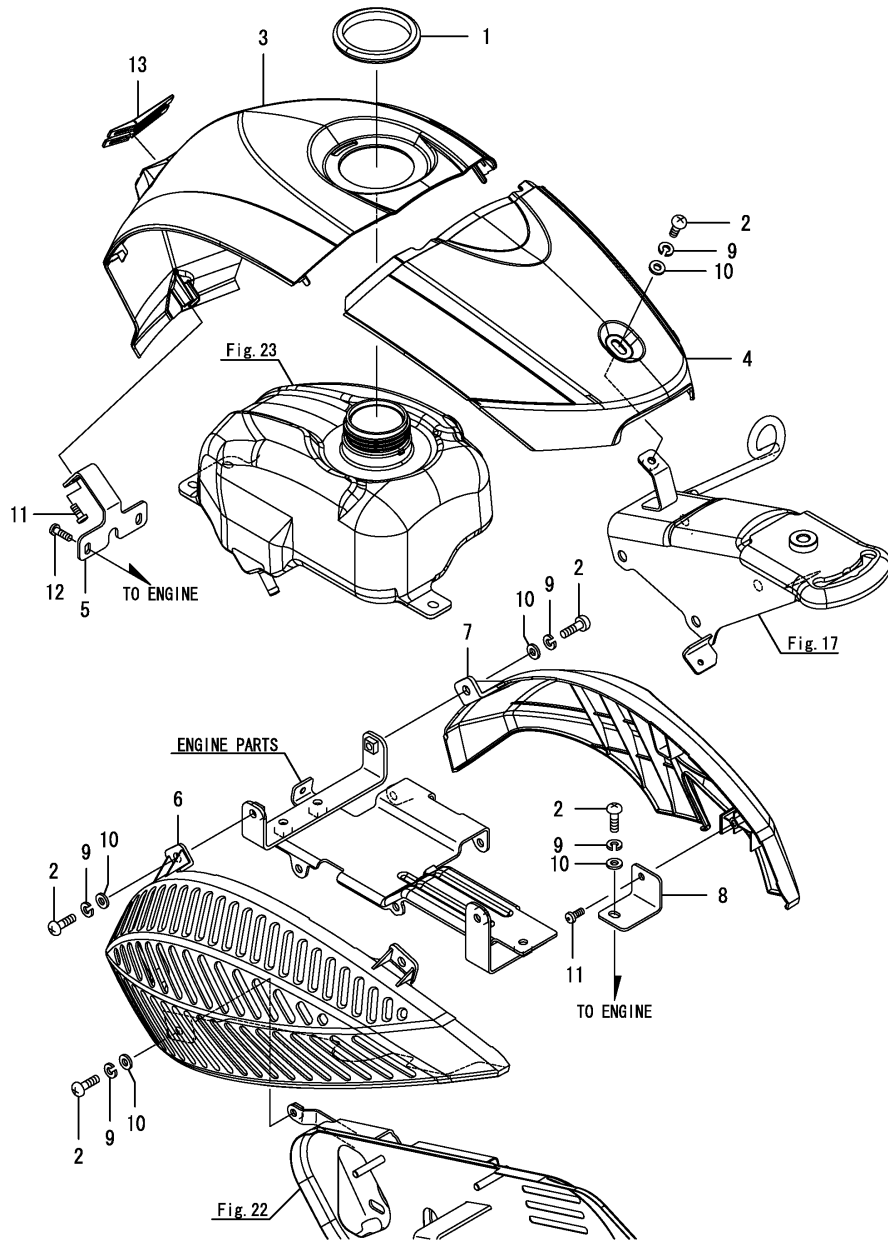


No.	Lev.	Parts No.	Description	Q'ty						I	R
				(A)	(B)	(C)	(D)	(E)	(F)		
1	1	1W1303-40010	FILTER,FUEL	1	1						
2	1	1A2910-63000	TANK, FUEL	1	1						
3	1	1A2920-63400	CAP ASSY, FUEL TANK	1	1						
4	2	1A2920-63410	CAP, FUEL TANK	1	1						
5	2	1A2920-63420	BREATHER	1	1						
6	2	1A2920-63430	PACKING, FUEL TANK	1	1						
7	1	22157-060000	WASHER, 6	3	3						
8	1	26106-060202	BOLT, M6X 20 PLATED	3	3						

Fig.24. BONNET

(A)=YK450QT
(B)=YK650QT
(C)=

(D)=
(E)=
(F)=

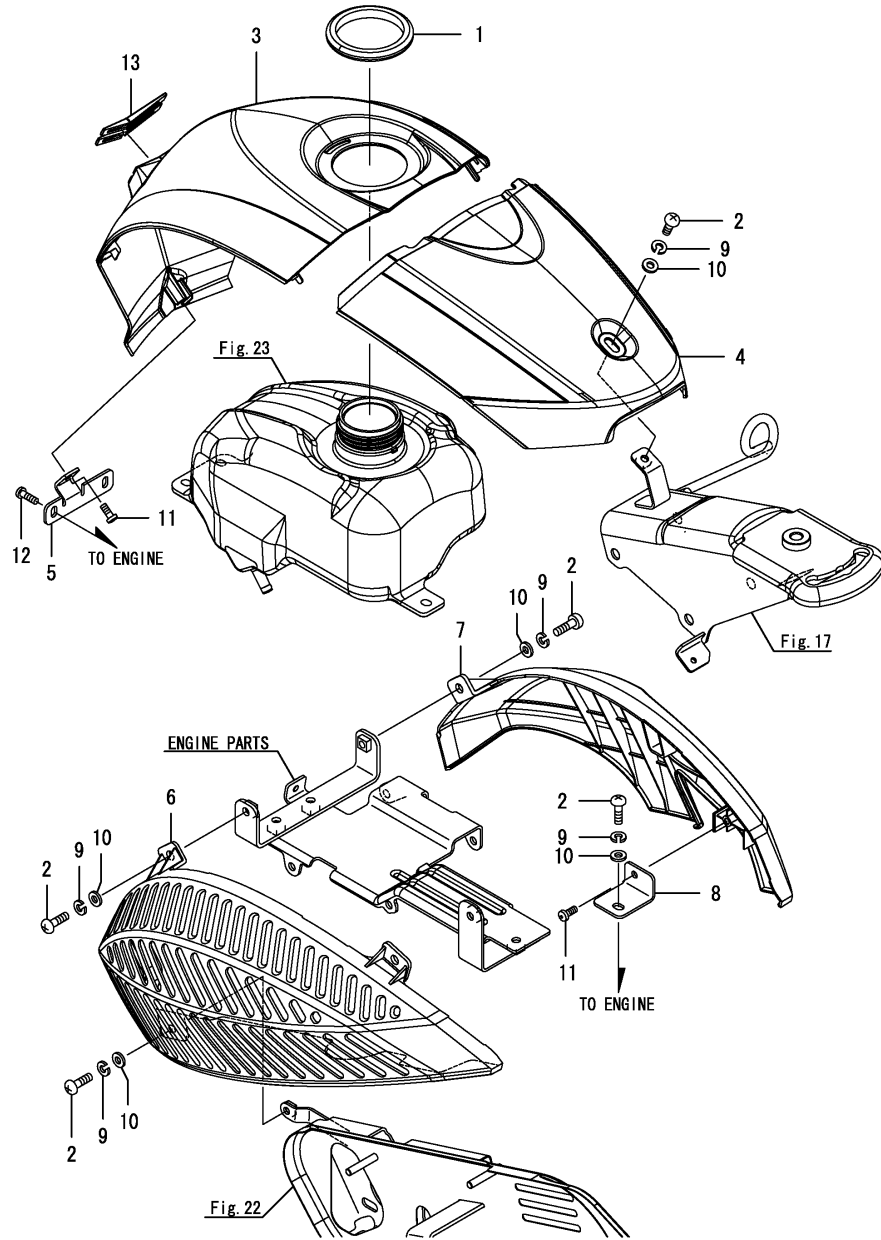


No.	Lev.	Parts No.	Description	Q'ty						I	R
				(A)	(B)	(C)	(D)	(E)	(F)		
1	1	1W3981-10440	RUBBER	1							
2	1	1A1951-52990	SCREW 6X20,PAN HD.BL	6							
3	1	1A2910-64000	BONNET	1							
4	1	1A2910-64010	COVER, REAR	1							
5	1	1A2910-64050	STAY, BONNET 450	1							
6	1	1A2910-64100	COVER, MUFFLER	1							
7	1	1A2910-64110	COVER, SIDE	1							
8	1	1A2910-64150	STAY, SIDE 450	1							
9	1	1A1750-90120	WASHER 6,SPRING BLK.	6							
10	1	1A1750-90160	WASHER 6, PLAIN	6							
11	1	22857-500122	SCREW, 5X12	2							
12	1	22859-500160	SCREW, 5X16	2							
13	1	41801-110040	EMBLEM, FY S 04	1							

Fig.25. BONNET

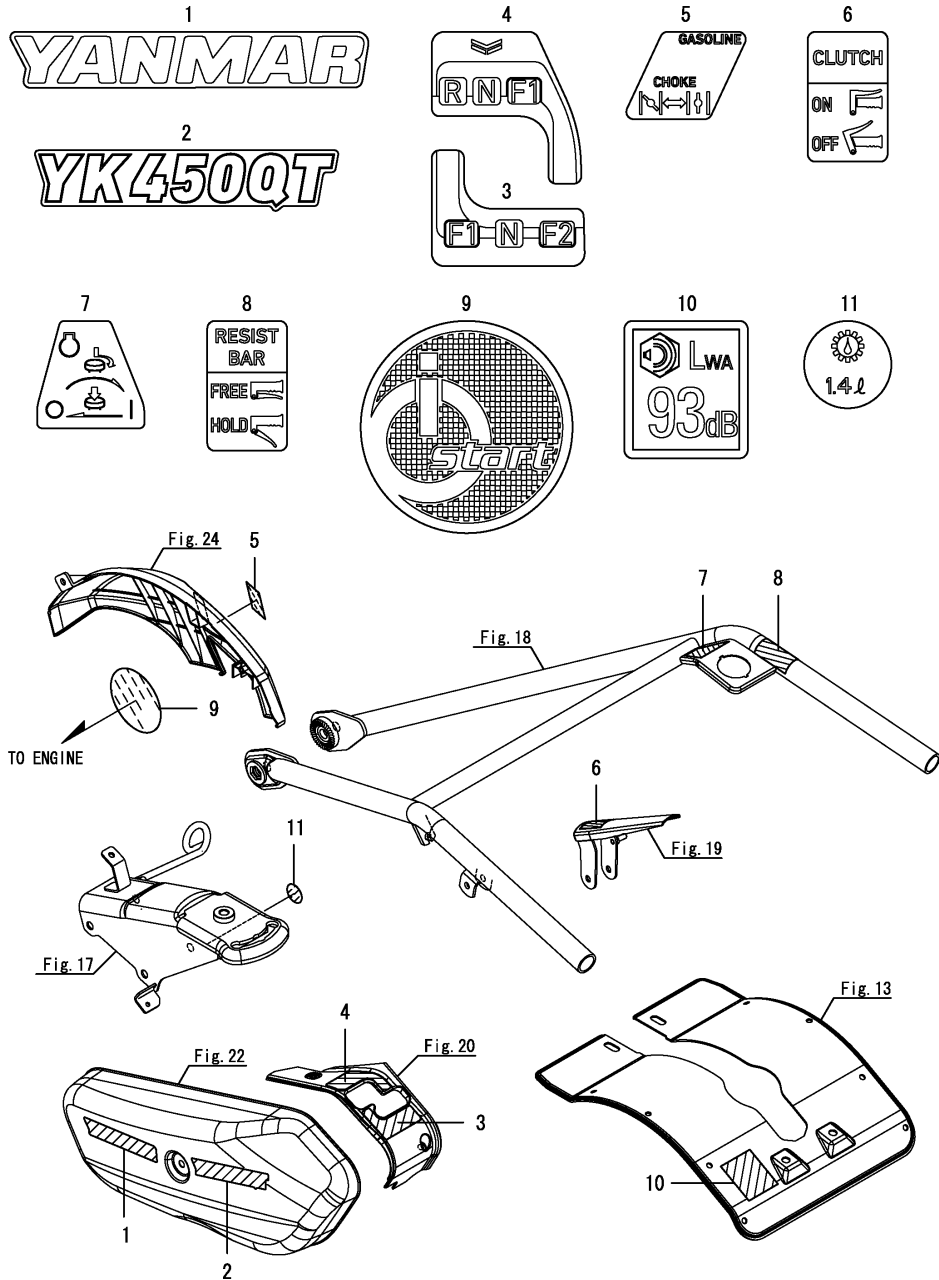
(A)=YK450QT
(B)=YK650QT
(C)=

(D)=
(E)=
(F)=



No.	Lev.	Parts No.	Description	Q'ty						I	R
				(A)	(B)	(C)	(D)	(E)	(F)		
1	1	1W3981-10440	RUBBER		1						
2	1	1A1951-52990	SCREW 6X20,PAN HD.BL		6						
3	1	1A2910-64000	BONNET		1						
4	1	1A2910-64010	COVER, REAR		1						
5	1	1A2910-64060	STAY, BONNET 650		1						
6	1	1A2910-64100	COVER, MUFFLER		1						
7	1	1A2910-64110	COVER, SIDE		1						
8	1	1A2910-64160	STAY, SIDE 650		1						
9	1	1A1750-90120	WASHER 6,SPRING BLK.		6						
10	1	1A1750-90160	WASHER 6, PLAIN		6						
11	1	22857-500122	SCREW, 5X12		2						
12	1	22859-500160	SCREW, 5X16		2						
13	1	41801-110040	EMBLEM, FY S 04		1						

Fig.27. LABEL

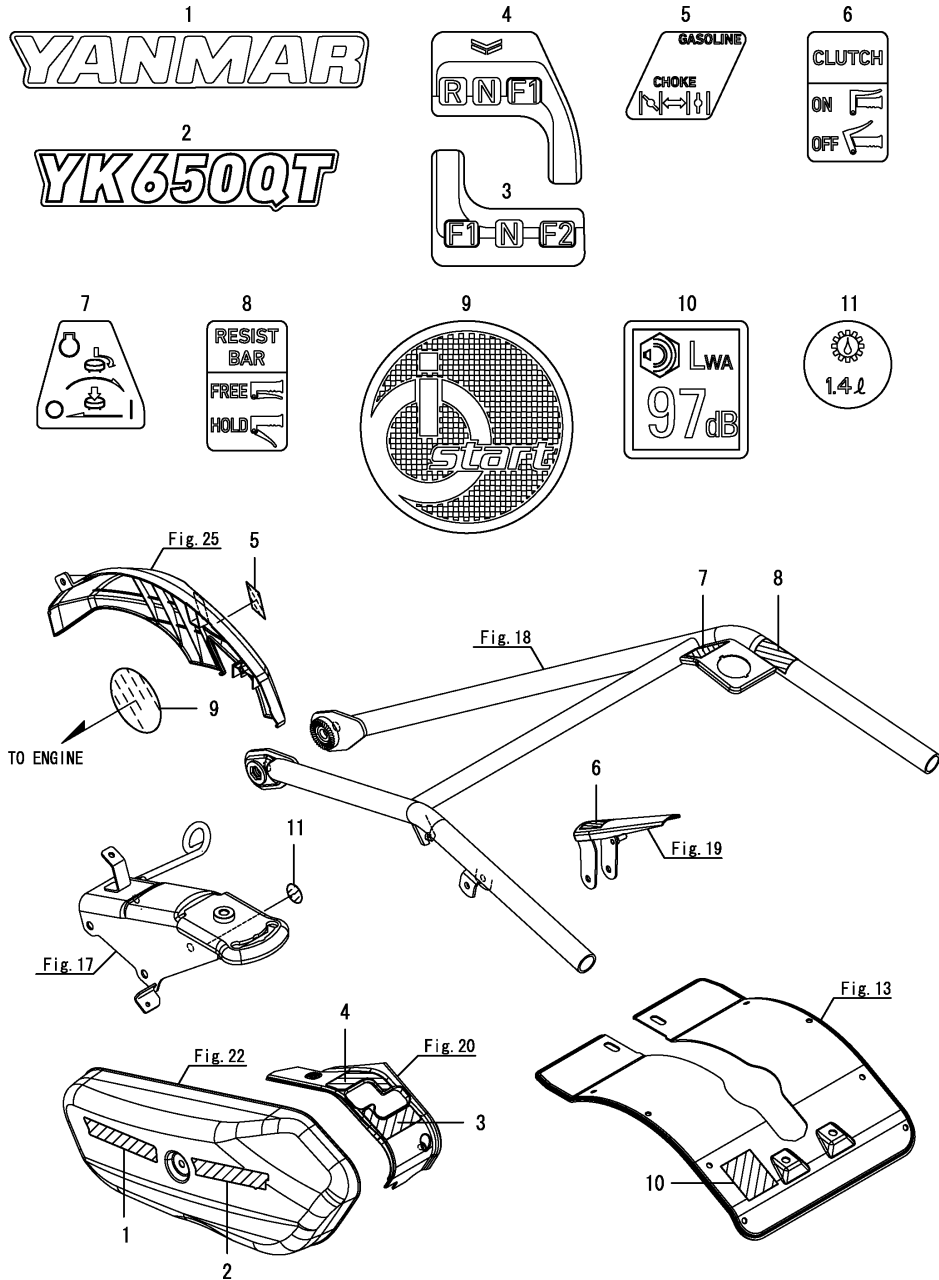


(A)=YK450QT
(B)=YK650QT
(C)=

(D)=
(E)=
(F)=

No.	Lev.	Parts No.	Description	Qty						I	R
				(A)	(B)	(C)	(D)	(E)	(F)		
1	1	1A2910-86020	LABEL, YANMAR	1							
2	1	1A2910-86030	LABEL, MODEL 450	1							
3	1	1A2910-86050	LABEL, CHANGE F	1							
4	1	1A2910-86060	LABEL, CHANGE R	1							
5	1	1A2910-86070	LABEL, CHOKE	1							
6	1	1A2910-86080	LABEL, CLUTCH	1							
7	1	1A2910-86090	LABEL, SWITCH	1							
8	1	1A2910-86100	LABEL, LEVER	1							
9	1	1A2910-86120	LABEL, RECOIL	1							
10	1	1A2179-86210	LABEL, 93DB	1							
11	1	1A2880-86300	LABEL, OIL 1.4	1							

Fig.28. LABEL



(A)=YK450QT
(B)=YK650QT
(C)=

(D)=
(E)=
(F)=

No.	Lev.	Parts No.	Description	Qty						I	R	
				(A)	(B)	(C)	(D)	(E)	(F)			
1	1	1A2910-86020	LABEL, YANMAR		1							
2	1	1A2910-86040	LABEL, MODEL 650		1							
3	1	1A2910-86050	LABEL, CHANGE F		1							
4	1	1A2910-86060	LABEL, CHANGE R		1							
5	1	1A2910-86070	LABEL, CHOKE		1							
6	1	1A2910-86080	LABEL, CLUTCH		1							
7	1	1A2910-86090	LABEL, SWITCH		1							
8	1	1A2910-86100	LABEL, LEVER		1							
9	1	1A2910-86120	LABEL, RECOIL		1							
10	1	1A2179-86230	LABEL		1							
11	1	1A2880-86300	LABEL, OIL 1.4		1							

Fig.29. LABEL(SAFETY)

(A)=YK450QT
(B)=YK650QT
(C)=

(D)=
(E)=
(F)=

No.	Lev.	Parts No.	Description	Q'ty						I	R
				(A)	(B)	(C)	(D)	(E)	(F)		
1	1	1A3550-86070	BELT COVER ATTENTION	1	1						
2	1	1A3550-86080	ROTARY ATTENTION	1	1						
3	1	1A3550-86090	HANDLING ATTENTION	1	1						
4	1	1A2910-86150	LABEL,HIGH TEMP	1	1						

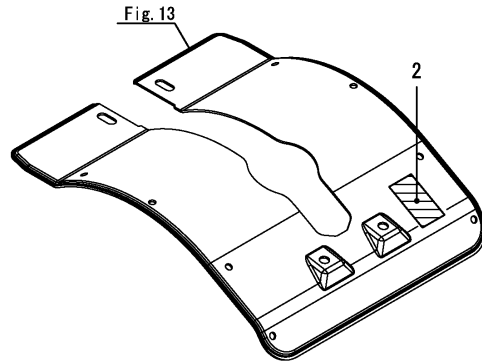
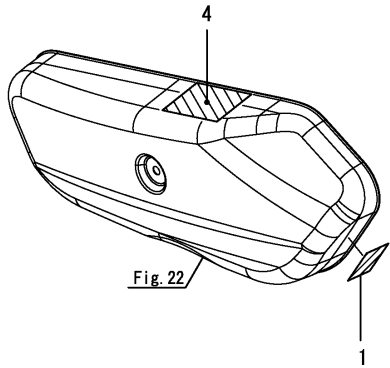
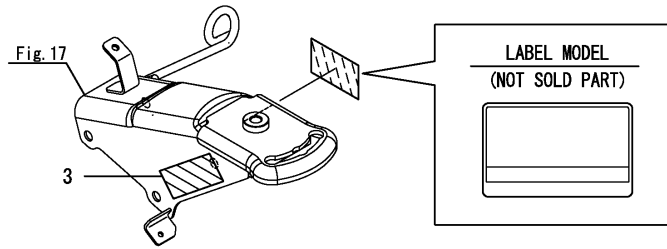
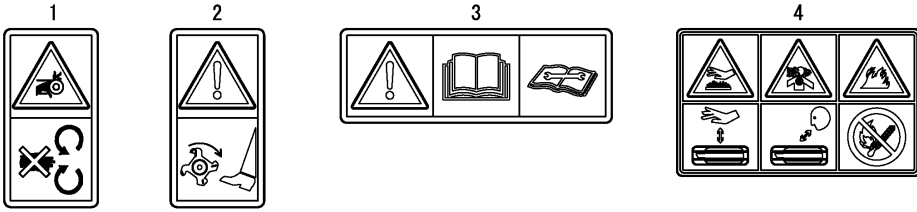


Fig.31. MANUAL

(A)=YK450QT
(B)=YK650QT
(C)=

(D)=
(E)=
(F)=

No.	Lev.	Parts No.	Description	Q'ty						I	R
				(A)	(B)	(C)	(D)	(E)	(F)		
1	1	1A2910-88000	MANUAL	1	1						
2	1	1A2910-88010	MANUAL,OPEN PACKAGE	1	1						

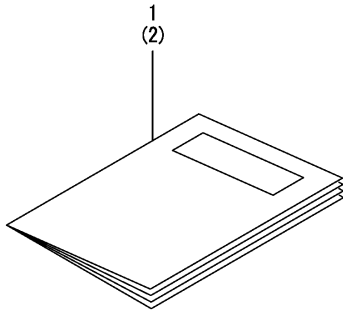
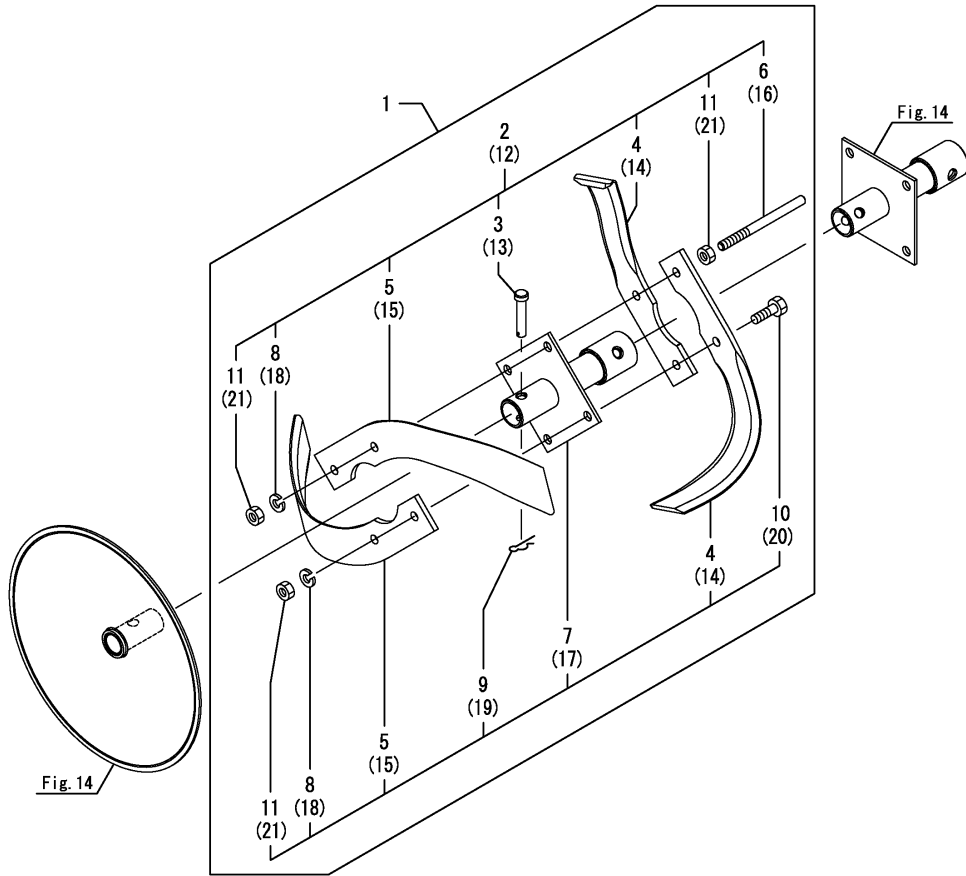


Fig.32. BLADE(EXTENSION)

(A)=YK450QT
(B)=YK650QT
(C)=

(D)=
(E)=
(F)=



No.	Lev.	Parts No.	Description	Q'ty						I	R
				(A)	(B)	(C)	(D)	(E)	(F)		
1	1	7A2910-35400	TINE ASSY, EXTENSION		1						
2	2	1A2910-35410	TINE ASSY, EX L		1						
3	3	1A3550-31160	PIN 8X40		1						
4	3	1A2910-35000	TINE,KATANA L-65		2						
5	3	1A2910-35010	TINE,KATANA R-65		2						
6	3	1A2910-35180	ROD, GUARD		2						
7	3	1A2910-35200	PIPE ASSY, BRACKET B		1						
8	3	22217-080000	WASHER, SPRING 8		4						
9	3	22372-080000	PIN, SNAP 8		1						
10	3	26116-080252	BOLT, M8X 25 PLATED		2						
11	3	26716-080002	NUT, M8		6						
12	2	1A2910-35420	TINE ASSY, EX R		1						
13	3	1A3550-31160	PIN 8X40		1						
14	3	1A2910-35000	TINE,KATANA L-65		2						
15	3	1A2910-35010	TINE,KATANA R-65		2						
16	3	1A2910-35180	ROD, GUARD		2						
17	3	1A2910-35200	PIPE ASSY, BRACKET B		1						
18	3	22217-080000	WASHER, SPRING 8		4						
19	3	22372-080000	PIN, SNAP 8		1						
20	3	26116-080252	BOLT, M8X 25 PLATED		2						
21	3	26716-080002	NUT, M8		6						

Parts No. Index

Parts No.	Fig. No.	Ref. No.
160110-92700	30	1
1A1735-55350	17	7
	20	5
1A1750-20421	7	1
1A1750-90120	17	8
	20	9
	24	9
	25	9
1A1750-90160	17	9
	20	10
	24	10
	25	10
1A1951-52990	24	2
	25	2
1A2000-51400	18	1
1A2001-21250	7	5
1A2015-23550	10	5
1A2132-61260	15	2
1A2132-62050	22	2
1A2171-90050	11	3
1A2173-27900	12	4
1A2179-86210	27	10
1A2179-86230	28	10
1A2320-55900	26	1
1A2331-23440	8	3
1A2530-24100	11	2
1A2530-75651	16	5
1A2530-75750	16	6
1A2700-51850	18	4
	20	1
1A2749-83000	26	2
1A2880-86300	27	11
	28	11
1A2910-12100	3	2
1A2910-12110	4	2
1A2910-12200	3	3
	4	3
1A2910-13100	5	1
1A2910-13500	6	1
1A2910-13600	6	2
1A2910-13610	6	3
1A2910-13700	6	6
1A2910-21100	7	2
1A2910-21150	7	3
1A2910-21200	7	4
1A2910-21250	7	6
1A2910-23000	8	1
1A2910-23020	8	2
1A2910-23100	9	1
1A2910-23150	9	2

Parts No.	Fig. No.	Ref. No.
1A2910-23300	10	2
1A2910-23350	10	3
1A2910-23400	10	4
1A2910-24050	11	1
1A2910-27000	12	1
1A2910-27050	12	2
1A2910-27300	12	3
1A2910-32100	13	2
1A2910-35000	14	2
	32	4
		14
1A2910-35010	14	3
	32	5
		15
1A2910-35100	14	4
1A2910-35180	14	6
	32	6
		16
1A2910-35190	14	7
1A2910-35200	14	8
	32	7
		17
1A2910-35410	32	2
1A2910-35420	32	12
1A2910-46000	15	1
1A2910-46500	16	1
1A2910-46610	16	2
1A2910-46620	16	3
1A2910-51200	17	2
1A2910-51280	17	3
1A2910-51300	17	4
1A2910-51310	17	5
1A2910-51400	17	6
1A2910-51500	18	2
1A2910-51600	18	3
1A2910-54000	19	1
1A2910-54080	19	2
1A2910-54090	19	3
1A2910-54100	19	4
1A2910-54110	19	5
1A2910-54120	19	6
1A2910-55100	20	2
1A2910-55300	20	3
1A2910-55330	20	4
1A2910-55480	20	6
1A2910-55500	20	7
1A2910-55570	20	8
1A2910-61000	21	1
1A2910-62100	22	3
1A2910-63000	23	2

Parts No.	Fig. No.	Ref. No.
1A2910-64000	24	3
	25	3
1A2910-64010	24	4
	25	4
	25	4
1A2910-64050	24	5
1A2910-64060	25	5
1A2910-64100	24	6
	25	6
	25	6
1A2910-64110	24	7
	25	7
	25	7
1A2910-64150	24	8
1A2910-64160	25	8
1A2910-83000	26	3
1A2910-86020	27	1
	28	1
1A2910-86030	27	2
1A2910-86040	28	2
1A2910-86050	27	3
	28	3
1A2910-86060	27	4
	28	4
	28	4
1A2910-86070	27	5
	28	5
1A2910-86080	27	6
	28	6
1A2910-86090	27	7
	28	7
1A2910-86100	27	8
	28	8
1A2910-86120	27	9
	28	9
	28	9
1A2910-86150	29	4
1A2910-88000	31	1
1A2910-88010	31	2
1A2920-63400	23	3
1A2920-63410	23	4
1A2920-63420	23	5
1A2920-63430	23	6
1A3550-12060	3	1
	4	1
1A3550-13320	5	2
1A3550-21800	7	7
1A3550-23270	10	1
1A3550-31160	14	1
	32	3
		13
1A3550-46700	16	4
1A3550-86070	29	1
1A3550-86080	29	2
1A3550-86090	29	3

Parts No.	Fig. No.	Ref. No.
1A6260-24410	7	8
1E6102-84970	26	4
1E6150-56040	12	5
1S4801-35160	14	5
1W1303-40010	23	1
1W3981-10440	24	1
	25	1
1W4981-90320	17	10
22137-060000	12	6
	13	3
	19	7
	20	11
	22	4
22137-080000	1	1
	2	1
	13	4
	19	8
	22	5
22137-100000	17	11
		18
	20	12
	21	2
22137-120000	6	7
	18	5
	20	13
22157-060000	23	7
22157-080000	1	2
	2	2
22157-120000	17	12
22217-060000	5	3
	12	7
	13	5
	20	14
	22	6
22217-080000	1	3
	2	3
	3	4
	4	4
	5	4
	13	6
	14	9
	22	7
	32	8
		18
22217-100000	15	3
	17	13
	20	15
	21	3
22217-120000	17	14
	18	6

Parts No. Index

Parts No.	Fig. No.	Ref. No.
22242-000120	6	8
	20	16
22252-000320	6	4
22272-000060	22	8
22372-060000	14	10
22372-080000	14	11
	32	9
		19
22372-160000	15	4
22417-160100	19	9
22417-200160	19	10
22486-060400	14	12
22486-080400	19	11
22487-080700	16	7
22551-050300	3	5
	4	5
	5	5
22857-500122	24	11
	25	11
22859-500160	24	12
	25	12
23414-080000	7	9
24101-063034	8	4
	9	3
	10	6
24101-063054	11	4
24104-062010	6	5
24190-100003	12	8
24421-173008	8	5
26106-060202	7	10
	23	8
26106-060302	7	11
26116-060122	13	7
	22	9
26116-060162	5	6
	20	17
26116-080162	3	6
	4	6
	5	7
	13	8
	22	10
26116-080252	1	4
	14	13
	32	10
		20
26116-080402	1	5
	2	4
26116-100302	16	8
26116-121502	18	7
26156-100602	15	5

Parts No.	Fig. No.	Ref. No.
26156-100602	21	4
26156-100902	20	18
26156-101002	15	6
	17	15
26156-120252	17	16
26367-060002	7	12
26476-060102	12	9
	20	19
26716-080002	1	6
	2	5
	13	9
	14	14
	32	11
		21
26716-100002	16	9
26717-060002	12	10
	13	10
26736-100002	15	7
	17	17
	21	5
26892-000800	16	10
27260-180000	7	13
27260-250000	7	14
27260-300000	7	15
41801-110040	24	13
	25	13
7A2910-32400	13	1
7A2910-35400	32	1
7A2910-51400	17	1
7A2910-62400	22	1

Parts No.	Fig. No.	Ref. No.
-----------	----------	----------

Parts No.	Fig. No.	Ref. No.
-----------	----------	----------